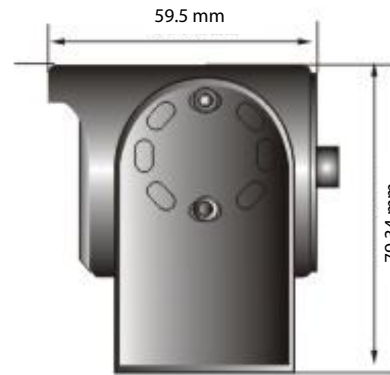
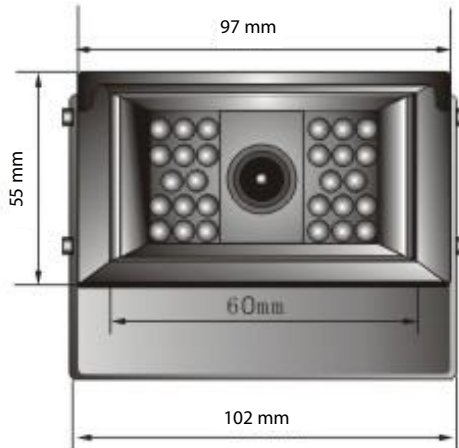
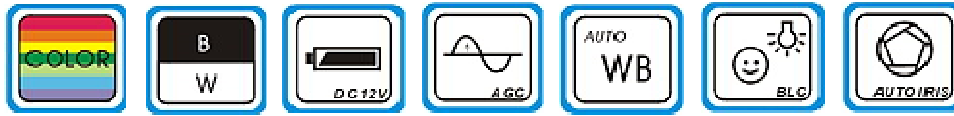


SHV-B086MSH-110 Camera



Unit: mm

1/3" COLOR SENSOR
 Image Device: 1/2.9" CMOS
 TV System: NTSC
 Effective Pixels: 1920(H) x 1080(V)
 Sensing Area: 4.9mm(H) x 3.7mm(V)
 Scanning System: Progressive Scanning
 Sync. System: Internal
 Resolution: 1080P
 Super low Illumination: 0Lux(Infrared lamps on)0.05Lux(day)/F1.2
 Video Output: 1.0vp-p, 75Ohm
 Gamma Consumption: 0.45
 AGC: Auto
 S/N Ratio: Better than 52dB
 White Balance: Auto
 Electronic Shutter: 1/25 (1/30) ~ 1/50,000 Seconds
 BLC: Auto
 Current Consumption: Max. 300mA
 Power Supply: DC12V
 Operating Temperature: -40°C ~ 70°C, RH 95% MAX.
 Storage Temperature: -40°C ~ 80 °C, RH 95% MAX.
 Internal Microphone
 Internal Heater

